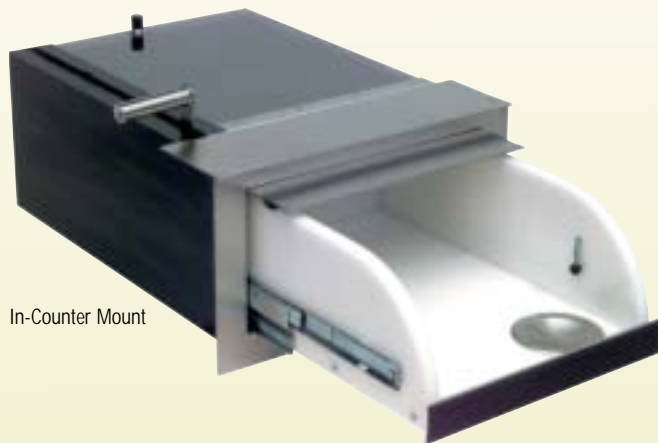


Large Capacity Transaction Drawer

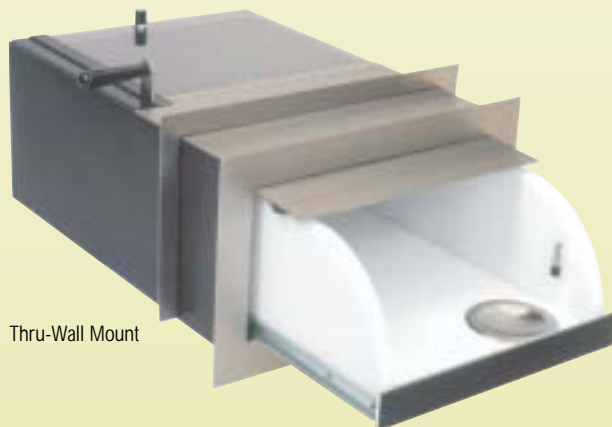
- Popular Thru-Wall and In-Counter Models
- Level 1 Bullet Resistant Protection

Our Large Capacity Transaction Drawer is available in two different configurations; one designed to be installed into a counter, one designed to allow thru-wall installation. Simply choose the drawer that accommodates your installation requirements.

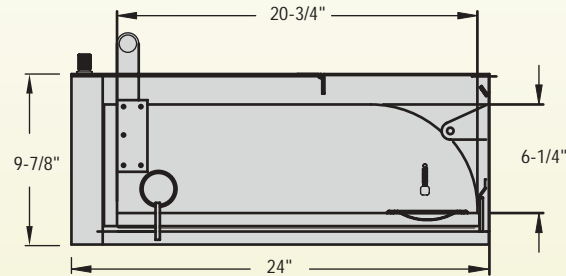
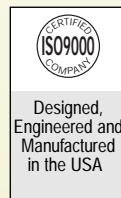
Suitable for drive-up and walk up service, this weather resistant drawer has a lexan lid to allow clear view of contents while preventing direct entry of outside air. Stainless steel front panel pivots up as drawer is extended. Push button latch keeps drawer lid locked when closed. Inside measurements of drawer are 12-7/8" wide x 20-3/4" deep x 6-1/4" high.



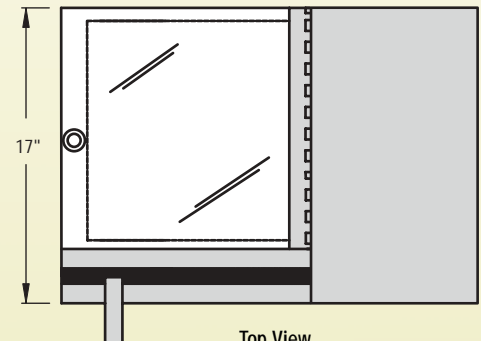
In-Counter Mount



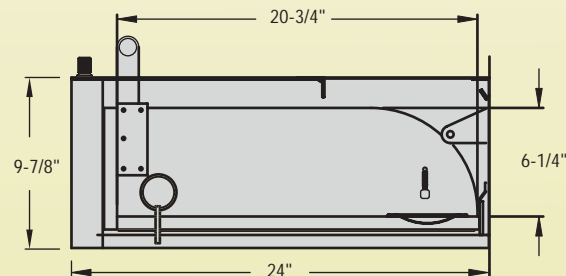
Thru-Wall Mount



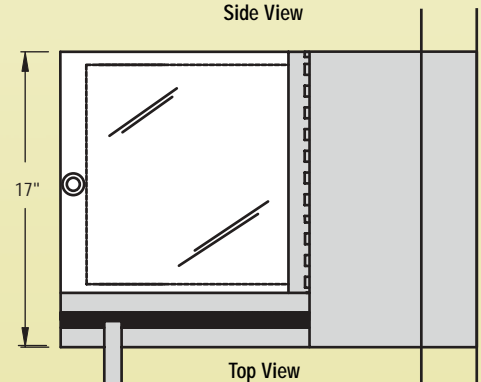
Side View



Top View



Side View



Top View

PROTECTION LEVEL



SPECIFICATIONS:

Materials: Stainless Steel; Lexan; Bullet Resistant Plastic

Finish: Brushed Stainless Steel (Face Plate Only)

Instructions Included

Counter or Wall Fabrication Required

CAT. NO.	STYLE	MOUNTING TYPE	WIDTH	DEPTH	HEIGHT
TD1724	Large Capacity	In-Counter	17"	24"	9-7/8"
TD1724TW	Large Capacity	Thru-Wall	17"	24"	9-7/8"