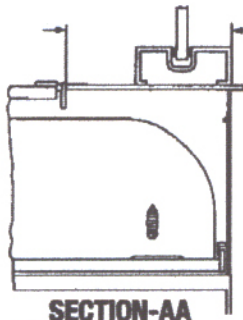


Installation Instructions

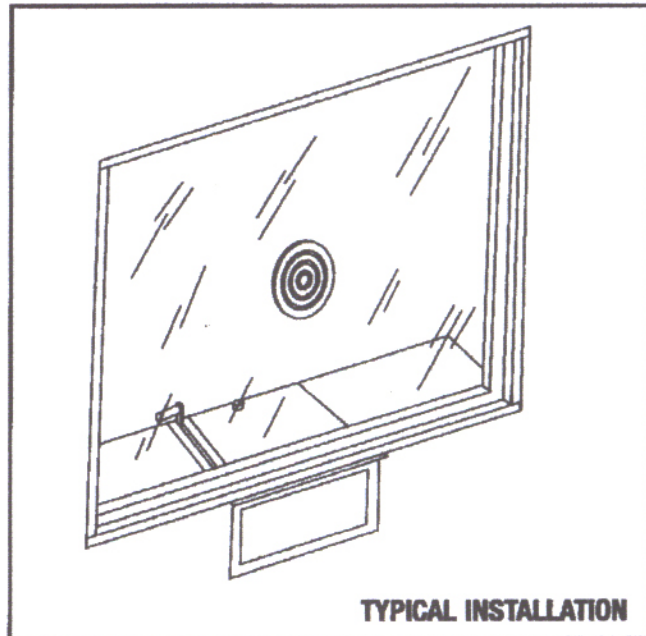
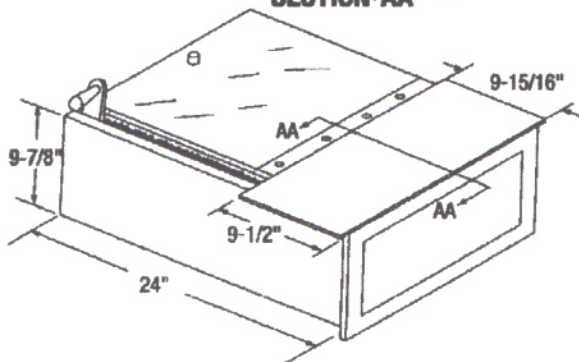
Cat. No. TD1724 Transaction Drawer

CONTENTS:

- 1 Assembled Deal Tray
- 1 Instruction Sheet



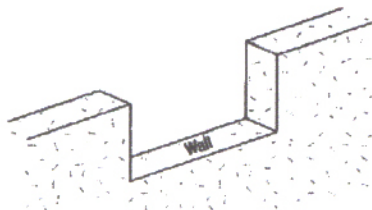
NOTE: From the front edge of the wall to the back edge of the stainless steel top shelf is 9-1/2". No extrusion over 9-1/2" wide can be used as it would interfere with raising the Lexan Lid.



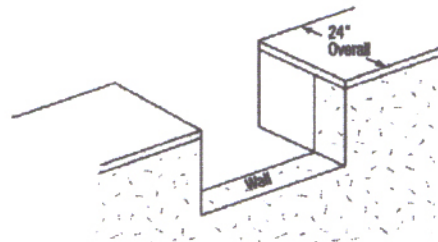
5 TYPICAL INSTALLATION OPTIONS

(See Following Pages For Installation Instructions)

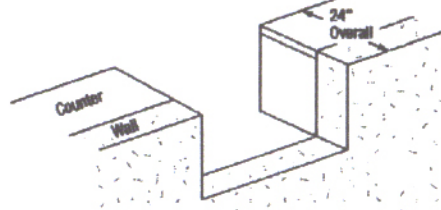
**UNDER WINDOW,
NO COUNTER**



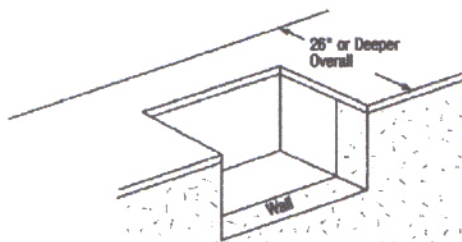
24" COUNTER ON TOP OF THE WALL



**24" COUNTER BEHIND THE WALL
(INCLUDES WALL THICKNESS)**



26" OR DEEPER COUNTER ON TOP OF THE WALL



**26" OR DEEPER COUNTER BEHIND THE
WALL (INCLUDES WALL THICKNESS)**

