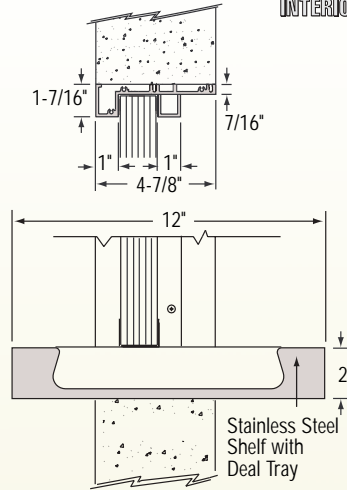


# In Stock, Off-The-Shelf Standard Inset Frame Models

## Window with Bullet Resistant Speak-Thru and Shelf with Deal Tray

- Fits Walls at Least 4-7/8" Thick
- Assembled and Ready to Install

This Standard Inset Frame Exchange Window is designed for walls with a thickness of at least 4-7/8". The unit slides into the opening and is secured by installing screws through the perimeter frame and into the sides of the opening. Window is supplied with a 12" deep Stainless Steel Shelf with built in Non-Ricochet Bullet Resistant Deal Tray. Glazing is 1-1/4" thick bullet resistant acrylic with a Level 1 protection rating. The Cat. No. N666 Level 3 rated Stainless Steel Speak-Thru allows natural voice transmission. An overhang or awning is recommended if used in an exterior application.



### PROTECTION LEVEL



CAT. NO.	FINISH	OVERALL SIZE (W x H)	WALL OPENING SIZE (W x H)
S1EW2436A	Satin Anodized	24" x 36"	24-1/2" x 36-1/4"
S1EW2436DU	Duranodic Bronze	24" x 36"	24-1/2" x 36-1/4"
S1EW3636A	Satin Anodized	36" x 36"	36-1/2" x 36-1/4"
S1EW3636DU	Duranodic Bronze	36" x 36"	36-1/2" x 36-1/4"

### SPECIFICATIONS:

**Materials:** Frame - .125" Thick Extruded 6063-T5 Aluminum Alloy;

Glazing - 1-1/4" Level 1 Acrylic; Shelf - Stainless Steel

**Finishes:** Frame - Satin Anodized or Duranodic Bronze; Shelf - Brushed Stainless Steel

**Speak-Thru:** N666 Level 3 Stainless Steel **Deal Tray:** Level 1 Protection

**Instructions Included**